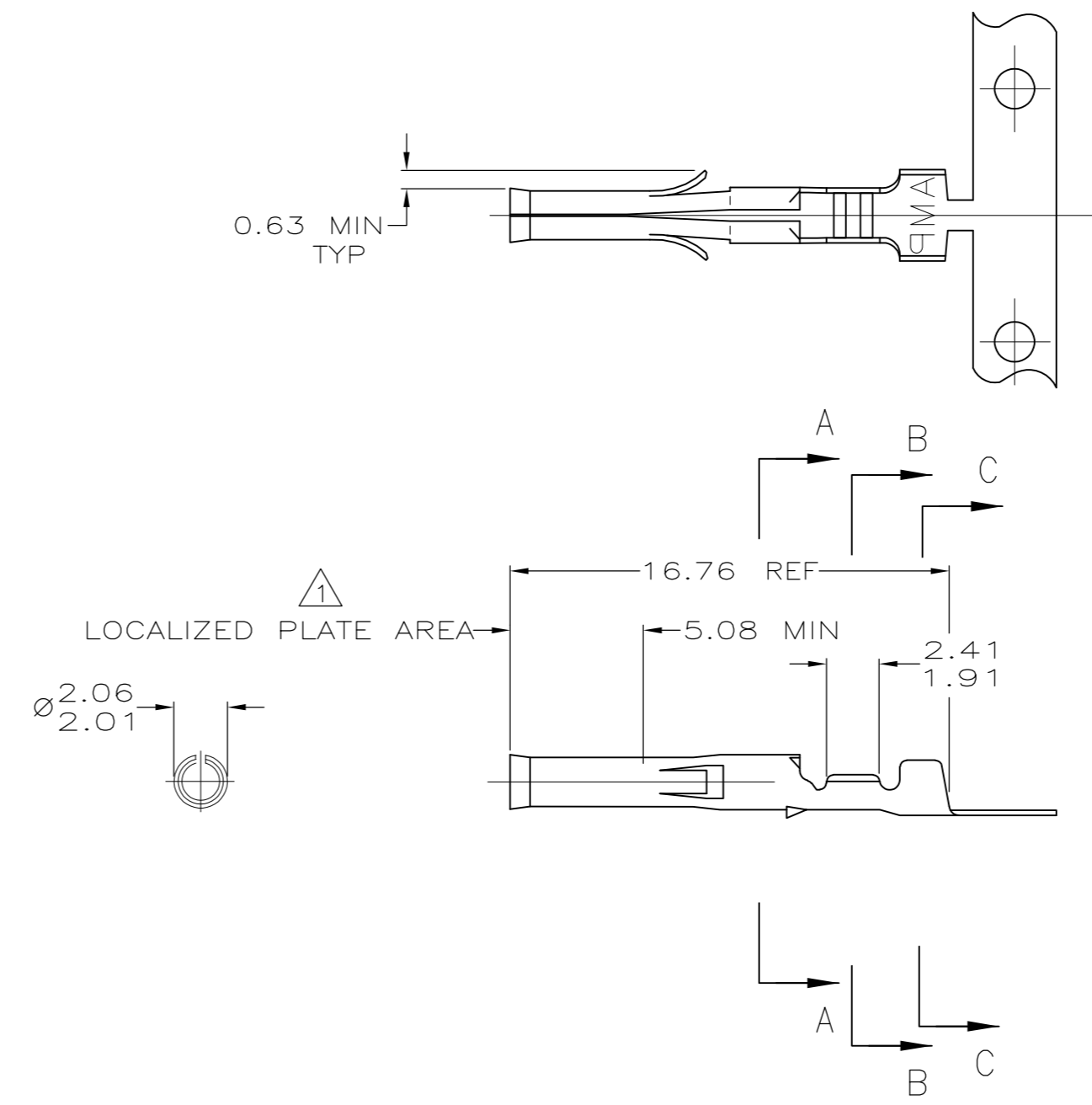
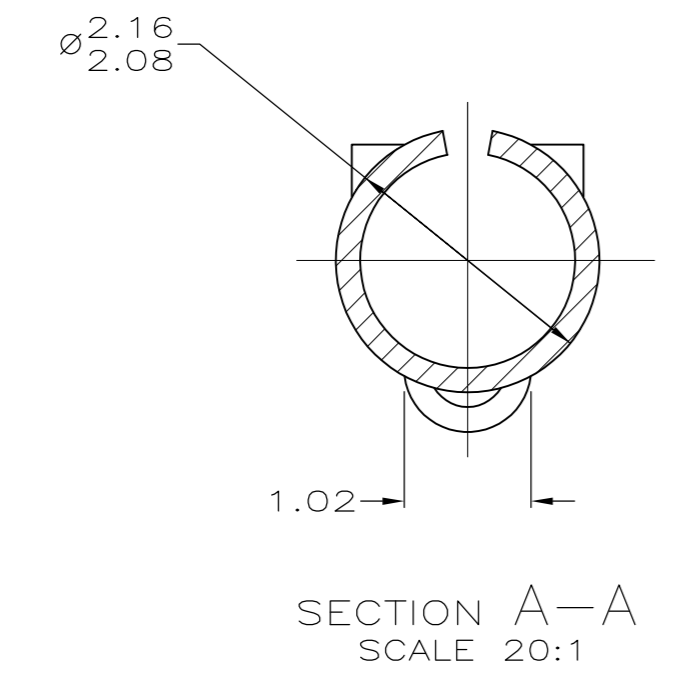
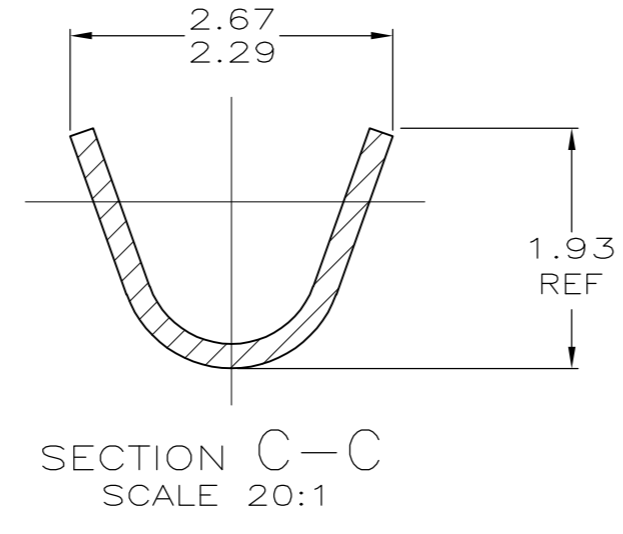
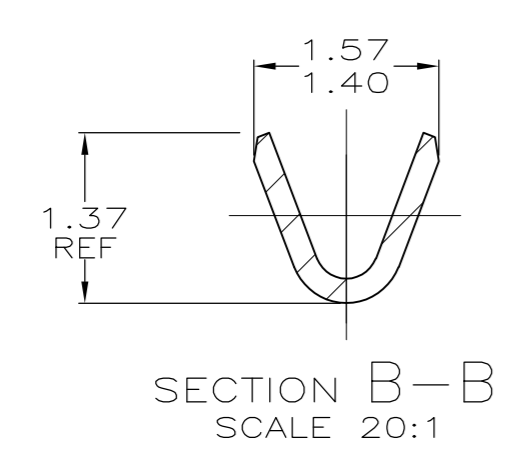


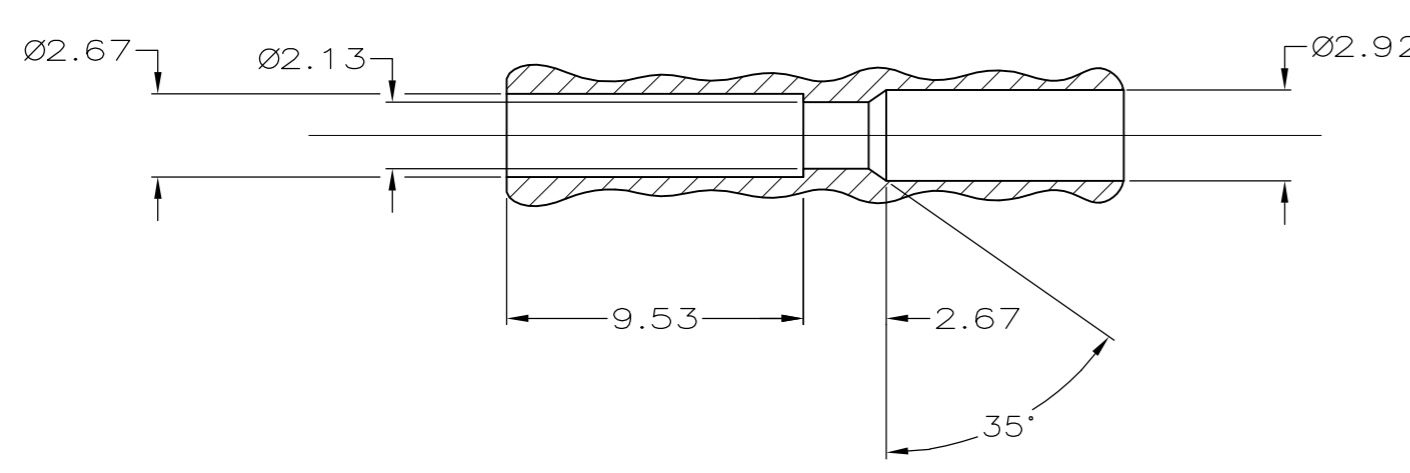
| LOC |    | DIST        |                           | REVISIONS |      |     |  |
|-----|----|-------------|---------------------------|-----------|------|-----|--|
| P   | LT | DESCRIPTION | DATE                      | OWN       | APVD |     |  |
| CM  | 53 | R1          | REVISED PER ECO-11-004917 | 11MAR11   | RK   | HMR |  |



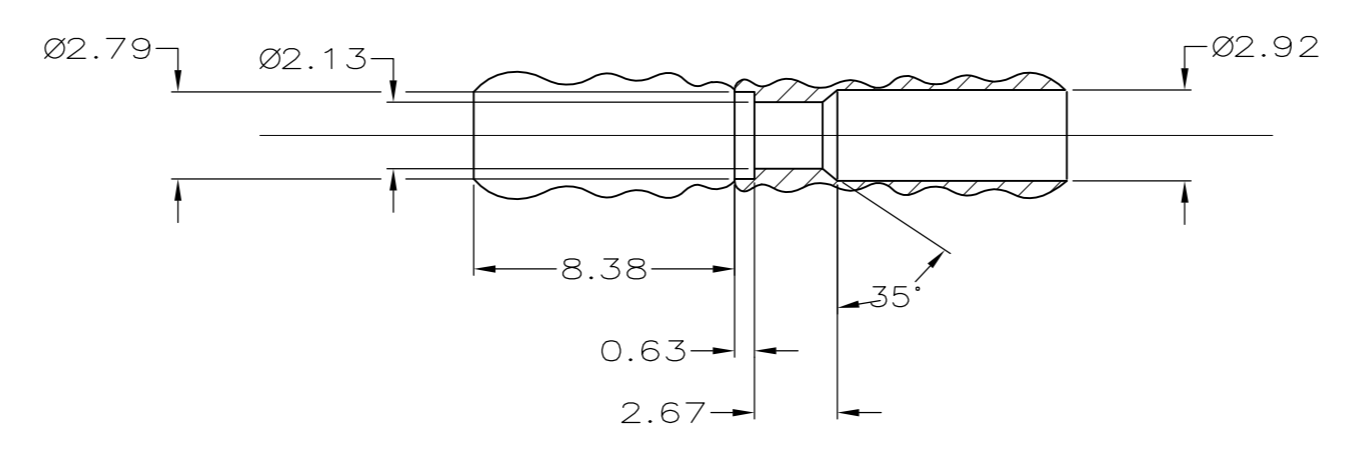
- 1. 0.0013 MIN NICKEL OVER ENTIRE RECEPTACLE WITH 0.0008 MIN GOLD INSIDE RECEPTACLE IN LOCALIZED PLATE AREA.
- 2. EITHER CAVITY WILL ACCEPT RECEPTACLE 350628,640392 OR PIN 350629,640391.

| IN      | MM     |
|---------|--------|
| .660    | 16.76  |
| .375    | 9.53   |
| .330    | 8.38   |
| .200    | 5.08   |
| .115    | 2.92   |
| .110    | 2.79   |
| .105    | 2.67   |
| .095    | 2.41   |
| .090    | 2.29   |
| .085    | 2.16   |
| .084    | 2.13   |
| .082    | 2.08   |
| .081    | 2.06   |
| .079    | 2.01   |
| .076    | 1.93   |
| .075    | 1.91   |
| .062    | 1.57   |
| .060    | 1.52   |
| .055    | 1.40   |
| .054    | 1.37   |
| .040    | 1.02   |
| .025    | 0.63   |
| .008    | 0.20   |
| .005    | 0.13   |
| .000050 | 0.0013 |
| .000030 | 0.0008 |
| IN      | MM     |

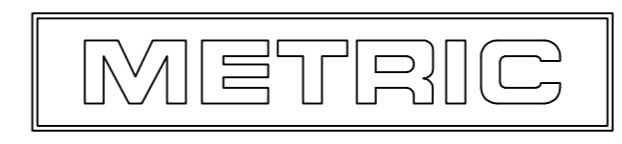
CONVERSION TABLE



TYPICAL RECEPTACLE CAVITY SECTION REFERENCE



TYPICAL PLUG CAVITY SECTION REFERENCE



| FINISH  | MATERIAL     | INSULATION DIAMETER | WIRE RANGE | PART NO  |
|---------|--------------|---------------------|------------|----------|
| △       | 0.20 BRASS   | 1.52 MAX            | 30-24      | 640392-5 |
| PRE-TIN | 0.20 PH.BRZ. | 1.52 MAX            | 30-24      | 640392-2 |
| PRE-TIN | 0.20 BRASS   | 1.52 MAX            | 30-24      | 640392-1 |

|  |           |                  |         |
|--|-----------|------------------|---------|
| THIS DRAWING IS A CONTROLLED DOCUMENT. |           | OWN<br>K. SALMON | 9-30-91 |
| DIMENSIONS: mm(INCHES)                 |           | CHK<br>R. SWING  | 9-30-91 |
| TOLERANCES UNLESS OTHERWISE SPECIFIED: |           | APVD<br>C. CASH  | 10-1-91 |
| 0 PLC                                  | ±         | NAME             |         |
| 1 PLC                                  | ±         | PRODUCT SPEC     |         |
| 2 PLC                                  | ±         | APPLICATION SPEC |         |
| 3 PLC                                  | ± 0.13    | SIZE             |         |
| 4 PLC                                  | ±         | CAGE CODE        |         |
| ANGLES:                                | ± ° ' 30" | DRAWING NO       |         |
| MATERIAL                               | SEE TABLE | WEIGHT           | —       |
| FINISH                                 | SEE TABLE | SCALE            | 5:1     |
| CUSTOMER DRAWING                       |           | SIZE             | A1      |
|  |           | CAGE CODE        | 00779   |
|  |           | DRAWING NO       | 640392  |
|  |           | RESTRICTED TO    | —       |
|  |           | SHEET            | 1 OF 1  |
|  |           | REV              | R1      |

A/C BUSINESS GROUP 3323 177-34 RALPH VESTAL